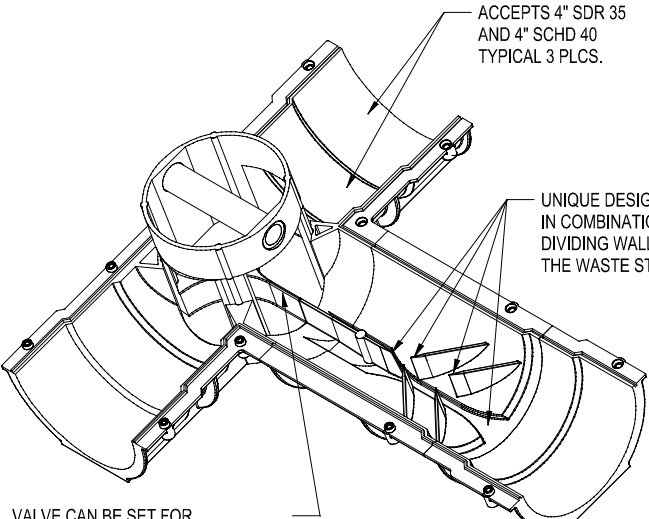
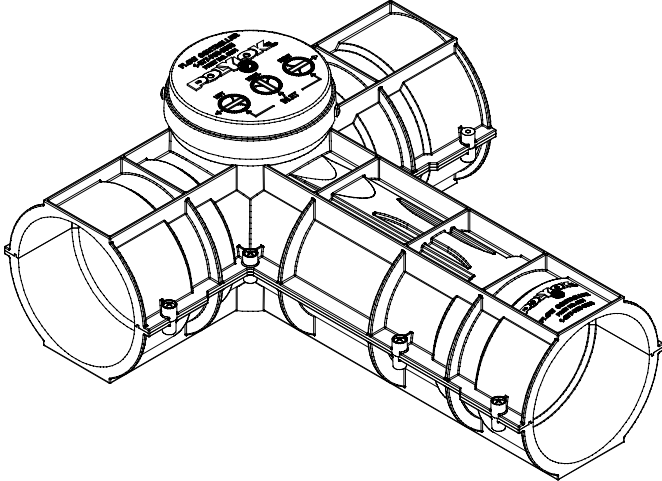
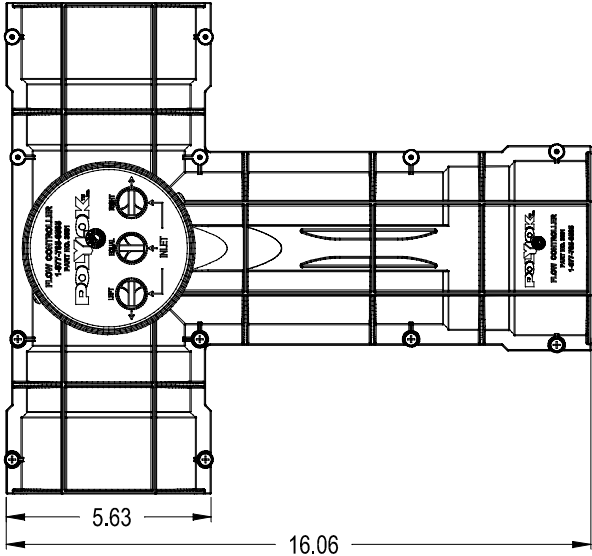


POLYLOK FLOW CONTROLLER  
 PART NO. 3051  
 MATERIAL - ABS



UNIQUE DESIGN USING A DOUBLE SET OF VEINS  
 IN COMBINATION WITH A CHANNEL SPLIT BY A  
 DIVIDING WALL. THIS ENABLES AN EQUAL SPLIT OF  
 THE WASTE STREAM, EVEN AT A 2% SHIFT IN SOIL.

VALVE CAN BE SET FOR  
 EQUAL DISTRIBUTION (FACTORY SET)  
 ALL DISTRIBUTION RIGHT  
 ALL DISTRIBUTION LEFT

