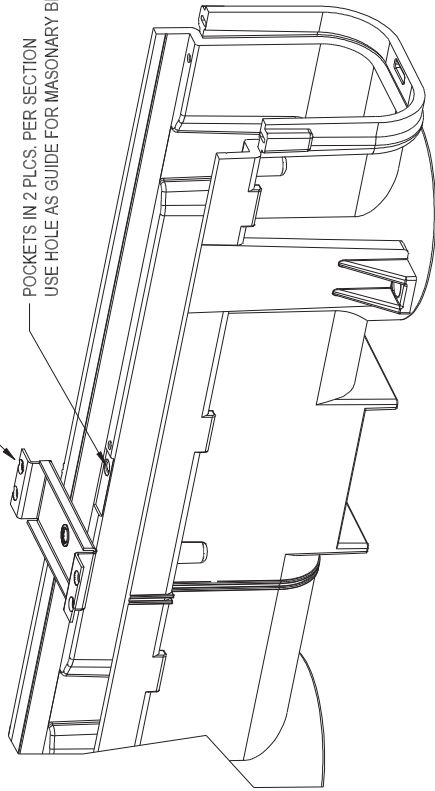


TRENCH GRATE MOUNTING BRACKET
 PART NO. PL-90860-GMB
 MATERIAL - STAINLESS STEEL
 (INCLUDED IN KIT # PL-90860-HWKIT)

POCKETS IN 2 PLCS. PER SECTION
 USE HOLE AS GUIDE FOR MASONARY BIT



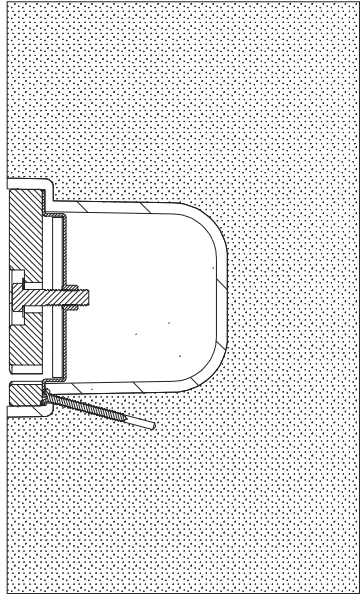
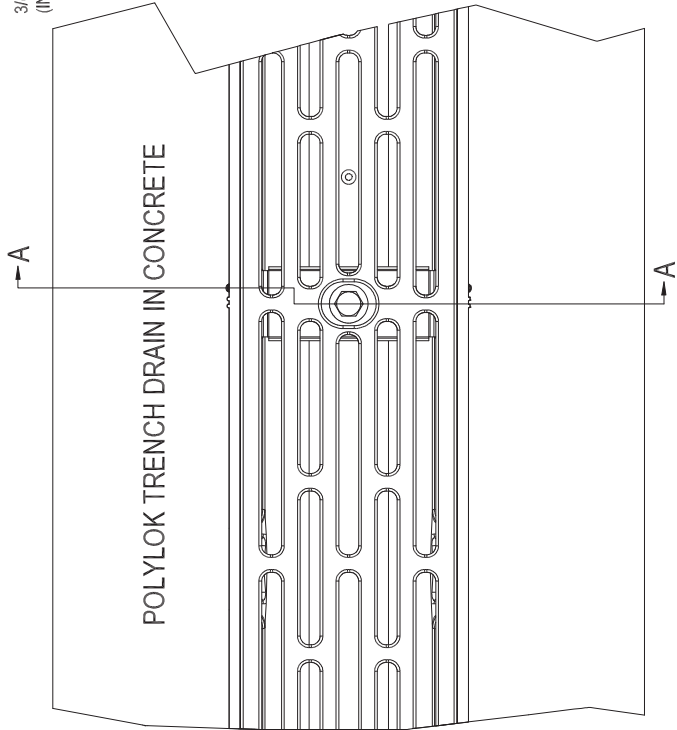
POLYLOK INSTRUCTIONAL DIAGRAM FOR RETROFITTING
 DUCTILE IRON GRATES IN TRENCH DRAIN THAT HAS BEEN
 PREVIOUSLY INSTALLED IN CONCRETE WITH PLASTIC GRATES
 NOTE: 2 KITS # PL-90860HWKIT REQUIRED PER SECTION

3/8" X 1 1/2" HEX HEAD
 STAINLESS STEEL CAP SCREWS
 (INCLUDED IN KIT# PL-90860-HWKIT)

3/8" STAINLESS STEEL WASHER
 (INCLUDED IN KIT# PL-90860-HWKIT)

TRENCH DRAIN DUCTILE IRON GRATE
 PART NO. PL-90860-DIG
 MATERIAL - DUCTILE IRON
 COLOR - BLACK
 3/16" X 2" FLAT HEAD TAP-CON SCREWS
 4 REQUIRED PER SECTION

USING A 5/32" MASONARY BIT
 DRILL HOLES ON A 15 DEG. ANGLE
 1/2" DEEPER THAN SCREW LENGTH
 4 PLCS. PER SECTION



SECTION A-A