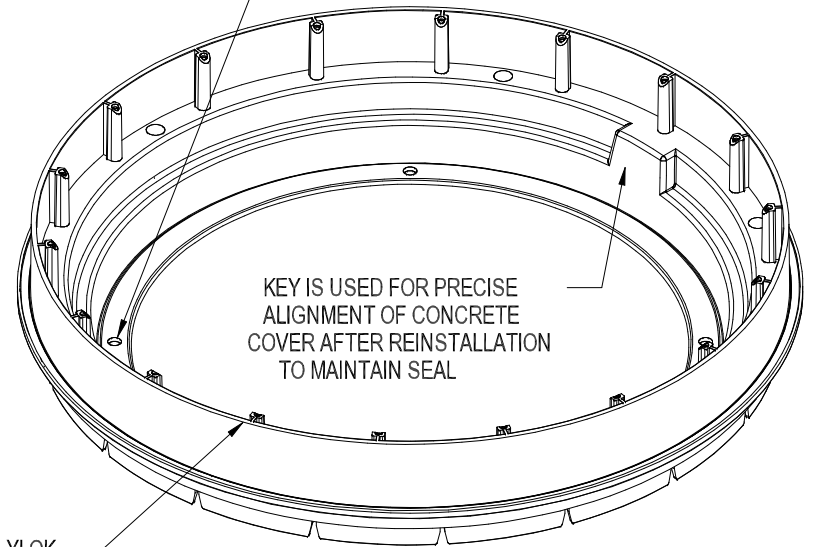
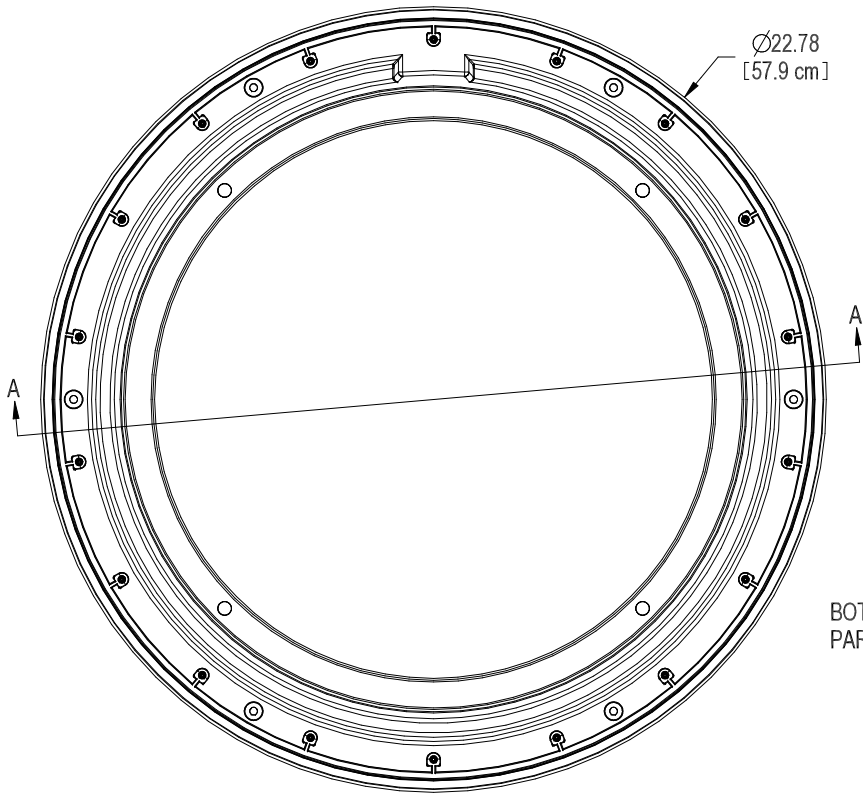


4 HOLES FOR MOUNTING TO FORM USE WITH POLYLOK PART NO. 30401 (MOLD FASTENING NAIL)
NOTE: ENTIRE FLANGE CAN BE REMOVED BY BREAKING OFF AT KNOTCHED DIA.



KEY IS USED FOR PRECISE ALIGNMENT OF CONCRETE COVER AFTER REINSTALLATION TO MAINTAIN SEAL

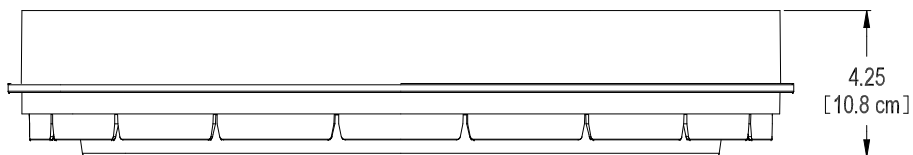
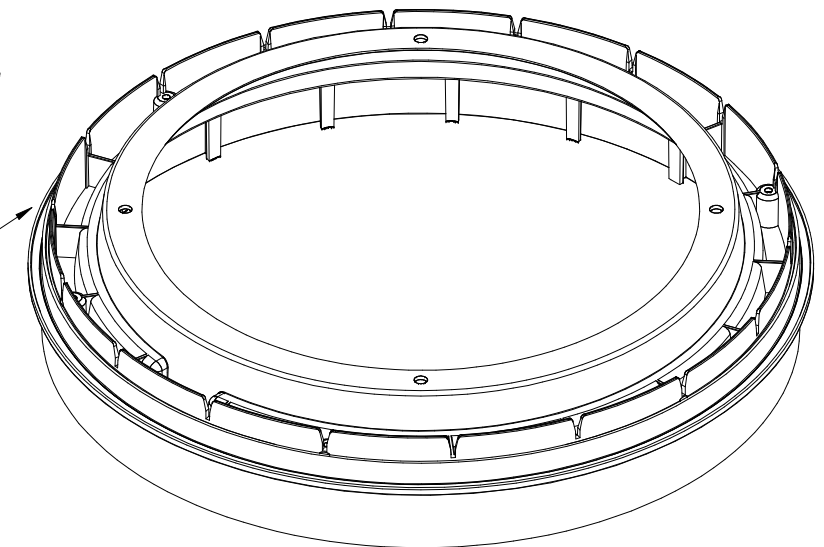


TOP DETAIL FITS POLYLOK

- PART NO.'S - 3009
 3009-RC
 3009-R12
 3009-G20
 3009-LPRP
 3017-C20
 3009-GR2
 3009-GR4

BOTTOM DETAIL FITS POLYLOK

- PART NO.'S - 3009
 3009-R12
 3009-AR
 3009-RTR20
 3009-RP
 3009-LPRP
 3009-GR2
 3009-GR4



POLYLOK 20" LOW PROFILE RISER PAN
PART NO. 3009-LPRP
MATERIAL - HDPE
COLOR - GREEN