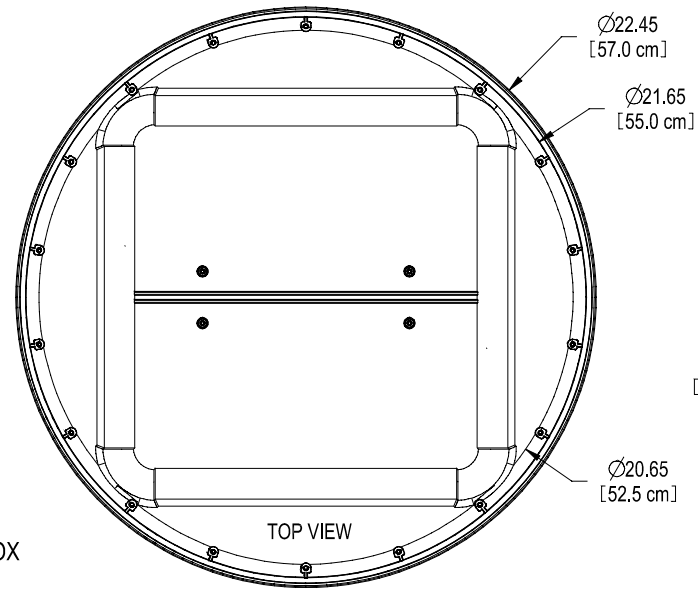
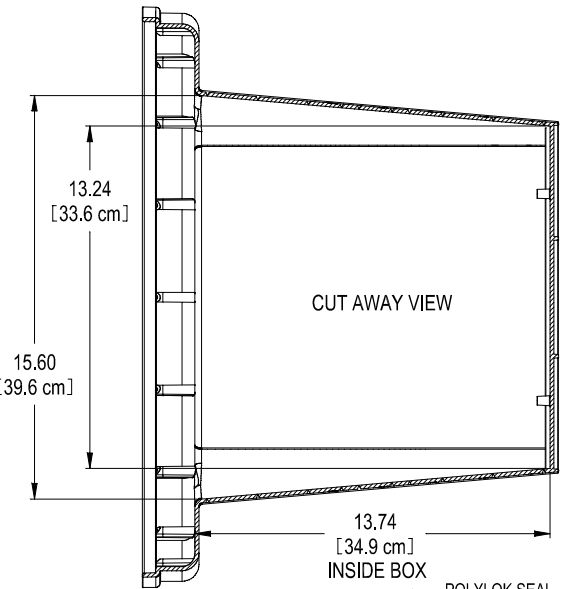


BOTTOM VIEW



TOP VIEW



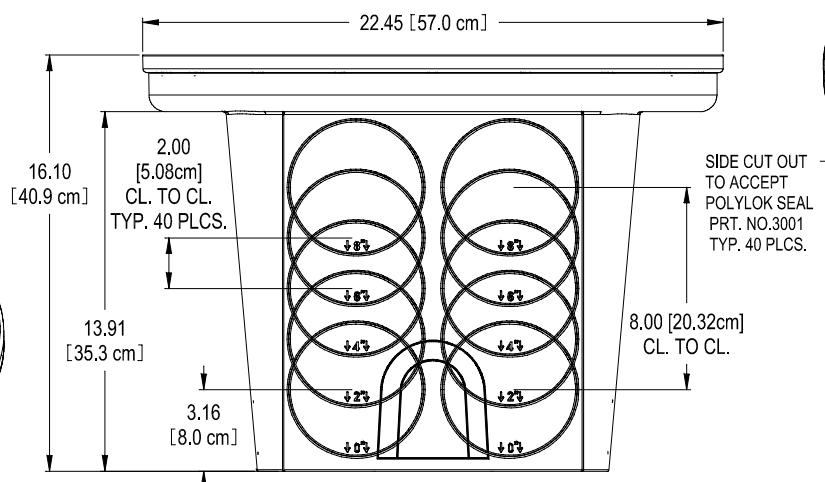
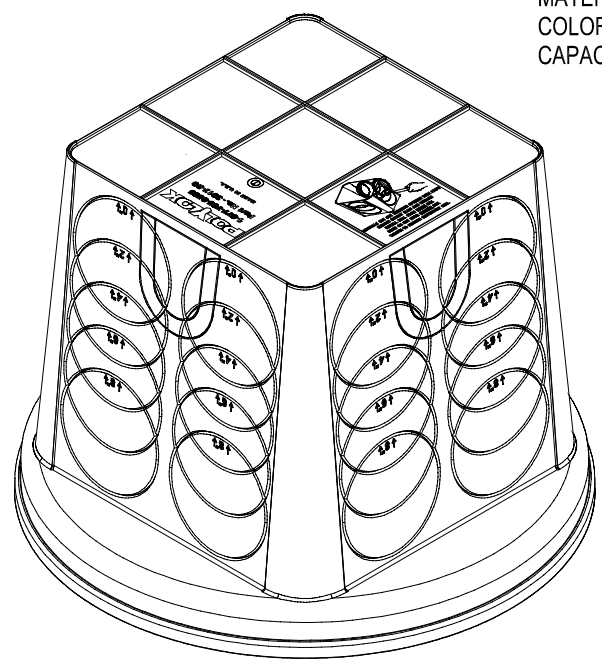
CUT AWAY VIEW

INSIDE BOX

POLYLOK 20" D-BOX
 PART NO. 3017-20
 MATERIAL - POLYPROPYLENE
 COLOR - BLACK
 CAPACITY - 15 GALLONS

BOX ACCEPTS:
 LIGHT COVER PART NO. - 3009C
 HEAVY COVER PART NO. -3017-C20
 GRATE- PART NO. -3017-G20
 6" TALL RISER PART NO. 3009
 12" TALL RISER PART NO. 3009-R12

POLYLOK SEAL ASSEMBLY
 PART NO. 3001
 (4 SEAL ASSEMBLIES INCLUDED)



FRONT/SIDE VIEW

