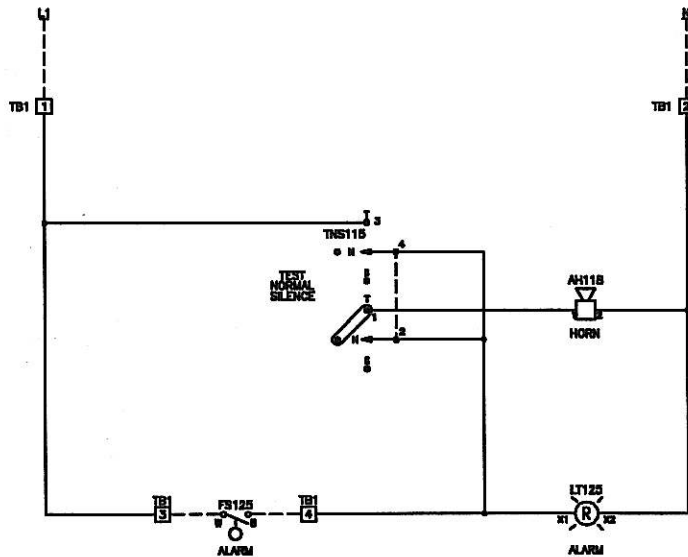
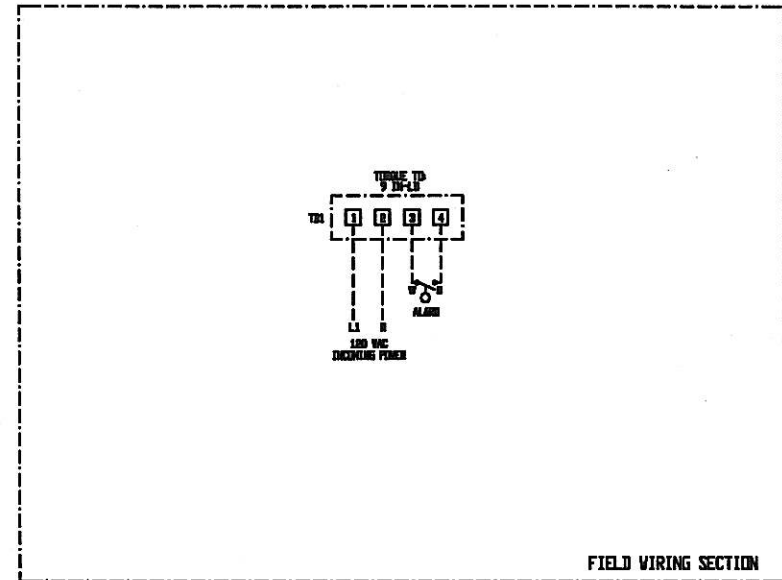


40001A 110192

100  
101  
102  
103  
104  
105  
106  
107  
108  
109  
110  
111  
112  
113  
114  
115  
116  
117  
118  
119  
120  
121  
122  
123  
124  
125  
126  
127  
128  
129  
130  
131  
132  
133  
134  
135  
136  
137  
138  
139  
140



141  
142  
143  
144  
145  
146  
147  
148  
149  
150  
151  
152  
153  
154  
155  
156  
157  
158  
159  
160  
161  
162  
163  
164  
165  
166  
167  
168  
169  
170  
171  
172  
173  
174  
175  
176  
177  
178  
179  
180  
181



PRELIMINARY  
NOT RELEASED TO PRODUCTION

REVISION										PROJECT NO. SUBCS00				DRAWING NO. N/A		REV. A	
NO.	REV.	DATE	BY	CHKD BY	DATE	APP'D BY	DATE	TITLE	SCALE	SHEET NO.	TOTAL SHEETS	TITLE		TITLE			
1		07/79	CV	CV	07/79	SLC	07/79			1 of 1	2	FILTER ALARM					