

### FEATURES/BENEFITS

- High Efficient Motor With Upper & Lower Ball Bearings/ Runs Cooler & Last Longer
- Vortex Impeller/ Helps Prevent Clogging
- Inboard Seal-Rotating Components Of Seal Are In The Motor Housing, Lubricated By The Motor Oil/ Seal Will Last Longer If Pump Runs Dry, Hair And Debris Cannot Wrap Around Seal Components
- Secondary Exclusion Seal/ Keeps Debris From Entering Seal Cavity
- Sealed Entry-Replaceable Power Cord/ Easy To Replace In The Field, Prevents Water From Entering The Motor Housing Through A Cut Power Cord (Up to 50' Available)
- Piggy-Back Switch Design/Defective Switches Can Be Diagnosed By Phone; Pump Can Be Operated Manually by Overriding The Switch
- Every Pump Is Tested In Water/Ensures That The Pump Meets Head & Flow Requirements

### APPLICATIONS

- Dewatering, Elevator Pits, Septic Systems, Residential & Commercial Developments, STEP Systems



**CPE5V**



**CPE5A**



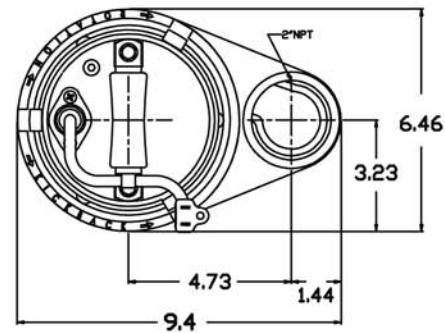
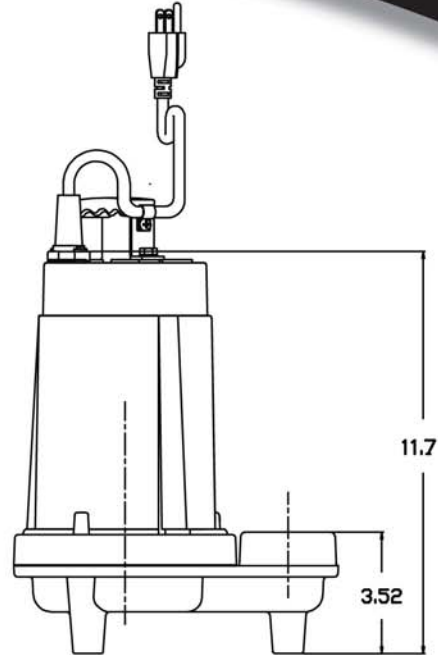
### PUMP PERFORMANCE CURVE



# CPE 4/10HP & 1/2HP

## EFFLUENT

- Discharge** 2" NPT. Vertical
- Solids Handling** 3/4"
- Liquid Temperature** 140 Degrees F. (Intermittent)
- Motor Housing** Cast Iron
- Volute** Cast Iron
- Seal Plate** Cast Iron
- Impeller** Cast Iron/Vortex
- Shaft** Stainless Steel
- Shaft Seal** Inboard Mechanical With  
Secondary Exclusion Seal  
Carbon- Rotating Face  
Ceramic- Stationary Face  
Buna-N-Elastomer  
300 Series Stainless Steel-  
Hardware
- Bearing (Upper & Lower)** Single Row, Ball, Oil Lubricated
- Hardware** 300 Series Stainless Steel
- Square Rings** Buna-N
- Cord** (UL/CUL) Listed 16 AWG, Type SJTW  
20' Length Standards. Other  
Lengths up to 50' Available
- Cord Entry** Compression Grommet- Outer  
Jacket Seal, Quick Disconnect Pin  
Terminals
- Motor (Single Phase)** 4/10 & 1/2 HP, 3450 RPM, 60Hz  
NEMA L Includes Overload  
Protection In The Motor.  
Oil Filled, Class B  
Permanent Split Capacitor
- Weight** 35lbs (Manual)



Model	HP	Volts	Phase	Amps	Cord Length	Switch
CPE4-12 CPE5-12	4/10 • 1/2	115	1	6.6 • 8.5	20	Manual
CPE4-22 CPE5-22	4/10 • 1/2	230	1	3.3 • 4.3	20	Manual
CPE4-13 CPE5-13	4/10 • 1/2	115	1	6.6 • 8.5	30	Manual
CPE4-15 CPE5-15	4/10 • 1/2	115	1	6.6 • 8.5	50	Manual
CPE4A-12 CPE5A-12	4/10 • 1/2	115	1	6.6 • 8.5	20	Float
CPE4A-22 CPE5A-22	4/10 • 1/2	230	1	3.3 • 4.3	20	Float
CPE4A-13 CPE5A-13	4/10 • 1/2	115	1	6.6 • 8.5	30	Float
CPE4V-12 CPE5V-12	4/10 • 1/2	115	1	6.6 • 8.5	20	Vertical Float
CPE4V-22 CPE5V-22	4/10 • 1/2	230	1	3.3 • 4.3	20	Vertical Float