

CPW5 1/2HP

SEWAGE

FEATURES/BENEFITS

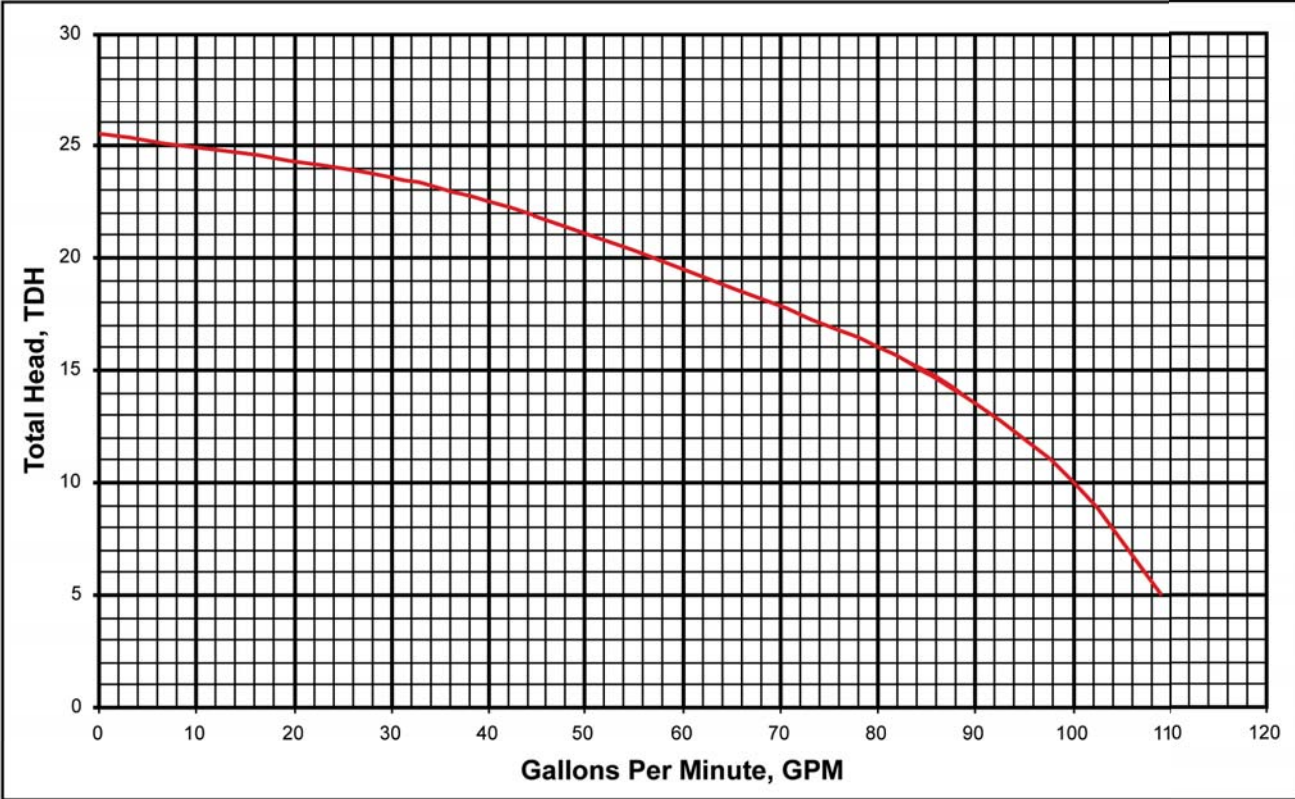
- High Efficient Motor With Upper & Lower Ball Bearings/ Runs Cooler & Last Longer
- Cast Iron Vortex Impeller/ Helps Prevent Clogging
- Inboard Seal-Rotating Components Of Seal Are In The Motor Housing, Lubricated By The Motor Oil/ Seal Will Last Longer If Pump Runs Dry, Hair And Debris Cannot Wrap Around Seal Components
- Secondary Exclusion Seal/ Keeps Debris From Entering Seal Cavity
- Sealed Entry-Replaceable Power Cord/Easy To Replace In The Field. Prevents Water From Entering The Motor Housing Through A Cut Power Cord (Up to 50' Available)
- Piggy-Back Switch Design/ Defective Switches Can Be Diagnosed By Phone; Pump Can Be Operated Manually by Overriding The Switch
- Every Pump Is Tested in Water/ Ensures That The Pump Meets Head & Flow Requirements

APPLICATIONS

- Basements; Dewatering, Septic Systems, Sewage Lift Stations/Add A Baths, Truck Docks



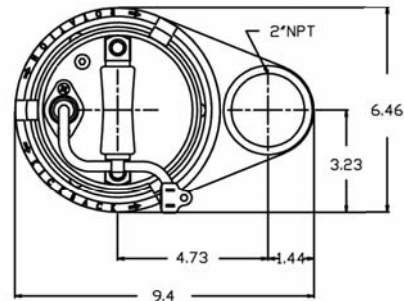
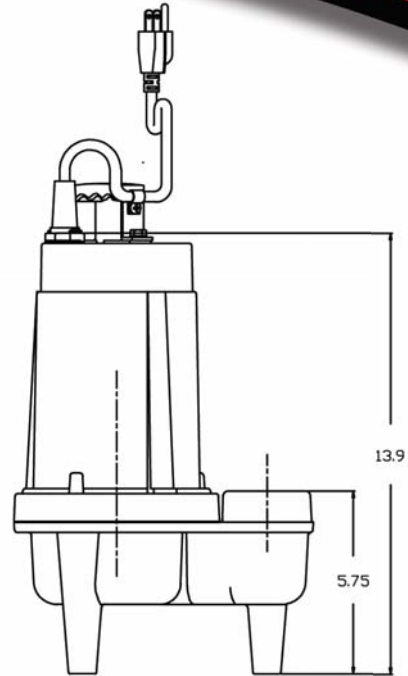
PUMP PERFORMANCE CURVE



CPW5 1/2HP

SEWAGE

- Discharge** 2" NPT.
- Solids Handling** 2"
- Liquid Temperature** 140 Degrees F. (Intermittent)
- Motor Housing** Cast Iron
- Volute** Cast Iron
- Seal Plate** Cast Iron
- Impeller** Cast Iron/Vortex
- Shaft** Stainless Steel
- Shaft Seal** Inboard Mechanical With
 Secondary Exclusion V-Seal
 Carbon- Rotating Face
 Ceramic- Stationary Face
 Buna-N-Elastomer
 300 Series Stainless Steel-
 Hardware
- Bearing (Upper & Lower)** Single Row, Ball, Oil Lubricated
- Hardware** 300 Series Stainless Steel
- Square Rings** Buna-N
- Cord** (UL/CUL) Listed 16 AWG, Type SJTW
 10' Length Standards. Up To 50'
 Available
- Cord Entry** Compression Grommet- Outer
 Jacket Seal, Quick Disconnect Pin
 Terminals
- Motor (Single Phase)** 1/2 HP, 3450 RPM, 60Hz
 NEMA L Includes Overload
 Protection In The Motor.
 Oil Filled, Class B
 Permanent Split Capacitor
- Weight** 38lbs (Manual)



Model	HP	Volts	Phase	Amps	Cord Length	Switch
CPW5-11	1/2	115	1	11.5	10	Manual
CPW5-12	1/2	115	1	11.5	20	Manual
CPW5-22	1/2	230	1	5.75	20	Manual
CPW5-13	1/2	115	1	11.5	30	Manual
CPW5-15	1/2	115	1	11.5	50	Manual
CPW5A-11	1/2	115	1	11.5	10	Float
CPW5A-12	1/2	115	1	11.5	20	Float
CPW5A-22	1/2	230	1	5.75	20	Float
CPW5A-13	1/2	115	1	11.5	30	Float
CPW5V-11	1/2	115	1	11.5	10	Vertical Float
CPW5V-12	1/2	115	1	11.5	20	Vertical Float
CPW5V-22	1/3	230	1	5.75	20	Vertical Float