

CPS3 1/3HP

SUMP/EFFLUENT

FEATURES/BENEFITS

- High Efficient Motor With Upper & Lower Ball Bearings/ Runs Cooler & Last Longer
- Vortex Impeller/ Helps Prevent Clogging
- Sealed Entry-Replaceable Power Cord/ Easy To Replace In The Field, Prevents Water From Entering The Motor Housing Through A Cut Power Cord (Up to 50' Available)
- Piggy-Back Switch Design/Defective Switches Can Be Diagnosed By Phone; Pump Can Be Operated Manually by Overriding The Switch
- Every Pump Is Tested In Water/Ensures That The Pump Meets Head & Flow Requirements

APPLICATIONS

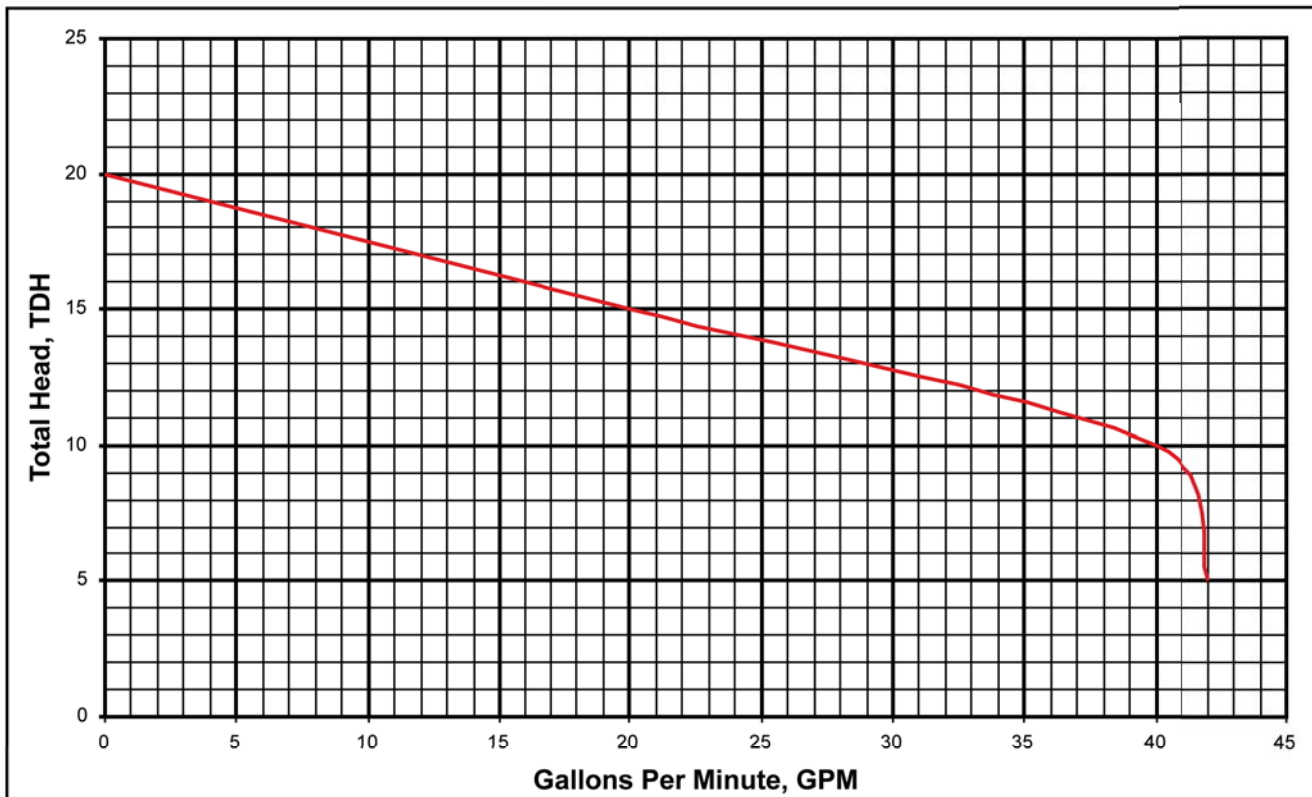
- Basements, Dewatering, Septic Systems, Decorative Ponds



CPS3V

CPS3A

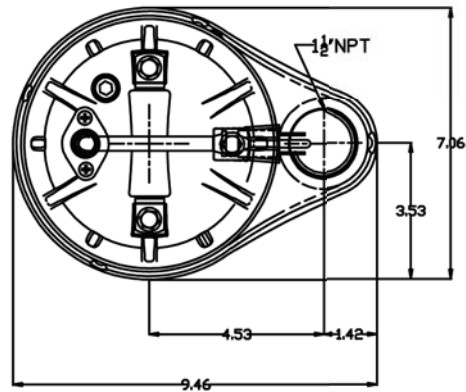
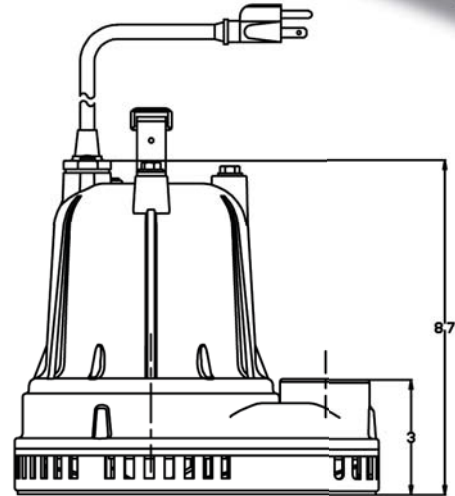
PUMP PERFORMANCE CURVE



CPS3 1/3HP

SUMP/EFFLUENT

DISCHARGE	1-1/2" NPT. Vertical
LIQUID TEMPERATURE	140 Degrees F. (Intermittent)
MOTOR HOUSING	Cast Iron
VOLUTE	Cast Iron
SEAL PLATE	Cast Iron
IMPELLER	Nylon + 30% Fiberglass
SHAFT	Nickel Plated Steel
SHAFT SEAL	Mechanical Carbon- Rotating Face Ceramic- Stationary Face Buna-N-Elastomer 300 Series Stainless Steel-Hardware
BEARING (UPPER & LOWER)	Single Row, Ball, Oil Lubricated
HARDWARE	300 Series Stainless Steel
O-RINGS	Buna-N
CORD	(UL/CUL) Listed 16 AWG, Type SJTW 10' Length Standards. Up To 50' Available
CORD ENTRY	Compression Grommet- Outer Jacket Seal Quick Disconnect Pin Terminals
MOTOR (SINGLE PHASE)	1/3 HP, 1750 RPM, 60Hz NEMA L Includes Overload Protection In The Motor. Oil Filled, Class B Permanent Split Capacitor
WEIGHT	24 lbs (Manual)



Model	HP	Volts	Phase	Amps	Cord Length	Switch
CPS3-11	1/3	115	1	4.0	10	Manual
CPS3-12	1/3	115	1	4.0	20	Manual
CPS3-13	1/3	115	1	4.0	30	Manual
CPS3-15	1/3	115	1	4.0	50	Manual
CPS3A-11	1/3	115	1	4.0	10	Float
CPS3A-12	1/3	115	1	4.0	20	Float
CPS3A-13	1/3	115	1	4.0	30	Float
CPS3V-11	1/3	115	1	4.0	10	Vertical Float
CPS3V-12	1/3	115	1	4.0	20	Vertical Float