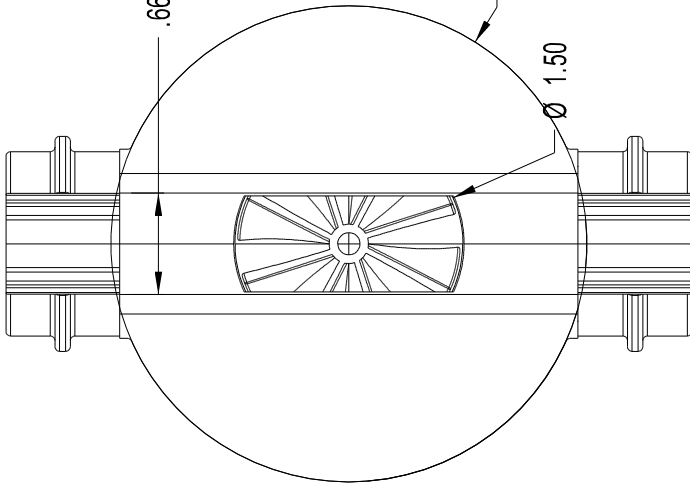
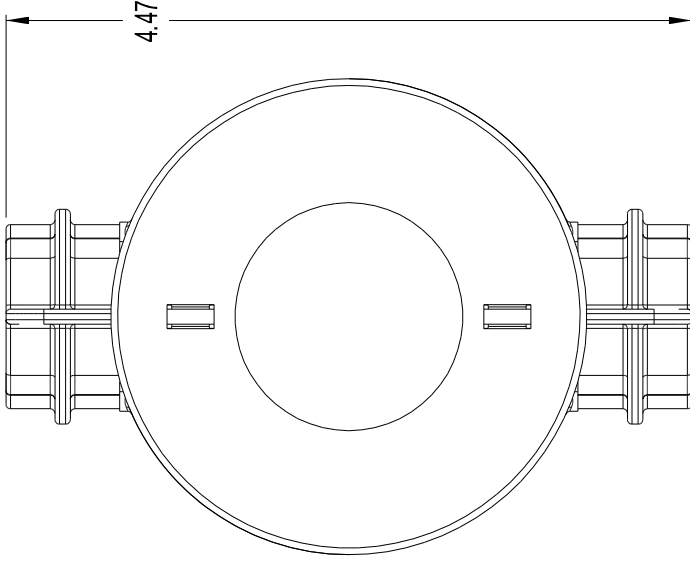
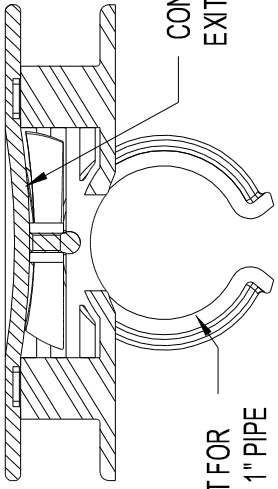


**POLYLOK ORIFICE DIFFUSER 3/4" - 1"
PART NO. 3081**



IMPELLER TO AID IN DIFFUSING OF WASTE STREAM

