

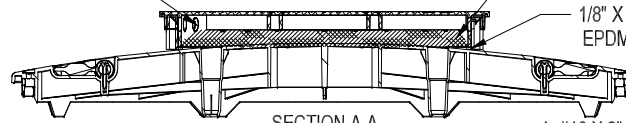
CHARCOAL COVER SPECIFICATIONS:

- ASSEMBLY CONSISTING OF;
 1- 3009-RC 20" DOME [50.8 cm] COVER
 1 - 3017-C12 12" [30.48 cm] COVER
 4- ABS BUSHINGS
 4- #10 X2" SCREWS
 2 LBS. [.907kg] ACTIVATED CARBON PELLETS
 IN NETTETED POLYESTER BAG

28 - 3/4" [1.905 cm] HOLES

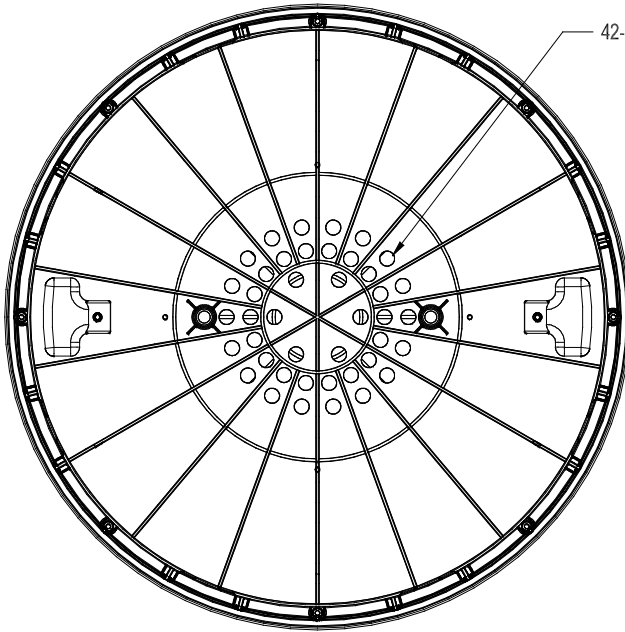
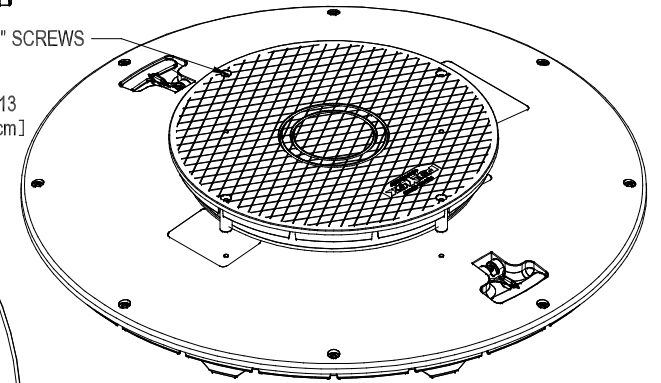
2 LBS. [.907kg] ACTIVATED CHARCOAL PELLETS

1/8" X 1/4" [.318 cm X .635 cm]
 EPDM CLOSED CELL FOAM GASKET



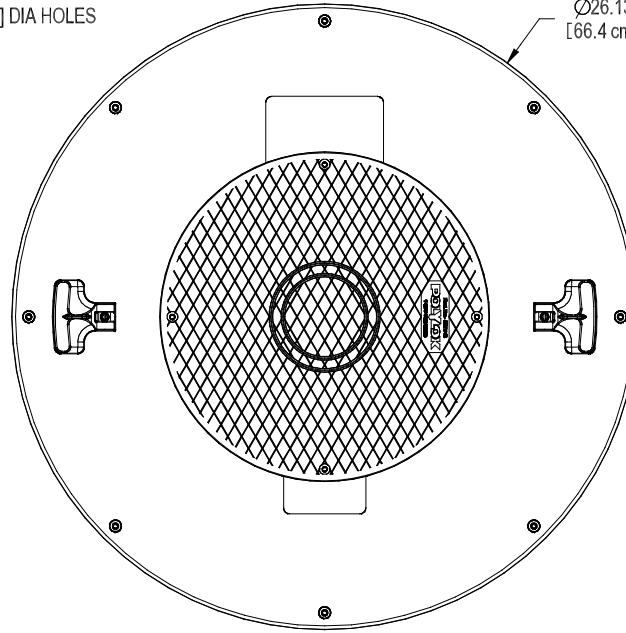
SECTION A-A

4- #10 X 2" SCREWS

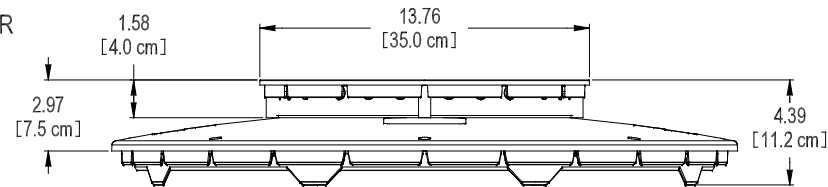


42-5/8" [1.588 cm] DIA HOLES

Ø26.13
 [66.4 cm]



POLYLOK 24" DOMED ACTIVATED CHARCOAL COVER
 PART NO. 3008-ACC-RC
 MATERIAL - HDPE
 COLOR - GREEN
 VENTED AREA - 12.27 SQ. IN.



BOTTOM DETAIL FITS POLYLOK
 PART NO. - 3008

- 3008-R12
- 3008-R12B
- 3009-AR
- 3009-RTR24
- 3008-RP
- 3008-GR2